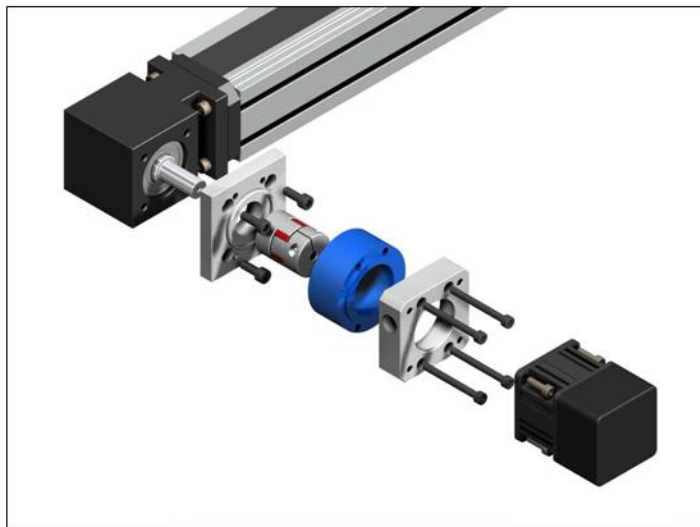


LSK Linear Slide / Motor Mount



GAM Mounting Kits for Festo Actuators



- Low Cost
- Short Lead Time
- Customized to Any Motor or Gearbox
- Bellows or Elastomer Coupling Included
- Mounting Hardware Provided by GAM

The GAM LSK Makes It Easy!

The LSK takes the hassle out of mounting your motor to a linear slide. GAM will provide a customized mounting solution that will work with ANY motor or gearbox. GAM will even provide all the necessary mounting hardware. All you have to do is tighten down the bolts!

The LSK is offered in multiple sizes with several coupling options. A bellows can be supplied for high stiffness, or an elastomer can be supplied for dampening capability. Either way, GAM has the right solution for you.

LSK - BS70 - 2B - 1N - Motor or Gearbox Part Number

Linear Slide Kit

Actuator Type

EGC-BS-70 = BS70
EGC-BS-80 = BS80
EGC-BS-120 = BS120
EGC-BS-185 = BS185

EGC-TB-50 = TB50
EGC-TB-70 = TB70
EGC-TB-80 = TB80
EGC-TB120 = TB120
EGC-TB185 = TB185

Kit Frame Size

Enter Motor or Gearbox Part Number here

Example: AB MPL-B420P
Example: Mitsubishi HF-KP23
Example: GAM DL-DW-055 Gearbox

Keyway Option

N=No Keyways in coupling
K= Keyways in coupling

Coupling Number

Coupling Type

B = Bellows Coupling
E = Elastomer Coupling

Festo is a registered trademark of Festo AG & Co. KG

**GAM Enterprises • 901 E Business Center Dr • Mount Prospect, IL 60056
Ph. (888)GAM-7117 • Fax (847)649-2501 • www.gamweb.com**

LSK Technical Information

Ballscrew Actuator

Typecode	Torque	Shaft Range	Price*	
Kits with bellows couplings				
EGC-BS 70	LSK-BS70-2B-1N	4 Nm	3-14mm	\$247
EGC-BS 80	LSK-BS80-2B-1N	8 Nm	6-19.05mm	\$267
EGC-BS 120	LSK-BS120-3B-1N	25 Nm	10-28mm	\$327
EGC-BS 185	LSK-BS185-4B-1N	50 Nm	15-35mm	\$367
	LSK-BS185-4B-2N	125 Nm	16-43mm	\$420
Kits with elastomer couplings				
EGC-BS 70	LSK-BS70-2E-1N	5 Nm	5-15mm	\$220
EGC-BS 80	LSK-BS80-2E-1N	8 Nm	8-15mm	\$247
	LSK-BS80-2E-2N	15 Nm	10-19mm	\$267
EGC-BS 120	LSK-BS120-3E-1N	30 Nm	12-26mm	\$300
EGC-BS 185	LSK-BS185-4E-1N	60 Nm	15-29mm	\$367
	LSK-BS185-4E-2N	150 Nm	22-38.1mm	\$394

Belt Actuator

Typecode	Torque	Shaft Range	Price*	Festo Shaft Insert Part Number	
Note: These Adapter Kits are made to mate with the Festo Actuator with Shaft Insert Option					
Kits with bellows couplings					
EGC-TB-50	LSK-TB50-2B-1N	4 Nm	3-14mm	\$280	558034
EGC-TB-70	LSK-TB70-2B-1N	4 Nm	3-14mm	\$280	558035
EGC-TB-80	LSK-TB80-3B-1N	25 Nm	10-28mm	\$327	558036
EGC-TB-120	LSK-TB120-4B-1N	50 Nm	15-35mm	\$367	558037
EGC-TB-185	LSK-TB185-4B-1N	125 Nm	16-43mm	\$420	558038
Kits with elastomer couplings					
EGC-TB-50	LSK-TB50-2E-1N	5 Nm	5-15mm	\$247	558034
EGC-TB-70	LSK-TB70-2E-1N	5 Nm	5-15mm	\$247	558035
EGC-TB-80	LSK-TB80-3E-1N	15 Nm	10-19mm	\$294	558036
	LSK-TB80-3E-2N	30 Nm	13-26mm	\$334	
EGC-TB-120	LSK-TB120-4E-1N	60 Nm	15-29mm	\$367	558037
EGC-TB-185	LSK-TB185-4E-1N	150 Nm	22-38.1mm	\$394	558038

If the motor or gearbox you want to mount has a shaft diameter outside the range, call GAM for options 847-649-2500

Note: Some motors and gearboxes require an additional adapter plate to mount to the gearbox, this may require an extra charge

*For keyways in the coupling please add \$80 to the price

Festo is a registered trademark of Festo AG & Co. KG

GAM Enterprises • 901 E Business Center Dr • Mount Prospect, IL 60056
Ph. (888)GAM-7117 • Fax (847)649-2501 • www.gamweb.com